



built for your family



built for your family

The Lofra heritage began more than 50 years ago when two Italian families combined resources to create the first Lofra Upright Cooker, which is now the number one selling cooker in Italy. Since then, a strong focus on continuous improvement and a wealth of experience has seen Lofra recently expand their offering to include an inbuilt range of cooking appliances, using the same principles in design as their world renowned upright cookers.

Whether you're a growing family or cooking for one, the Lofra upright cooker and inbuilt range has been designed to offer you years of high performance cooking. With features to suit your lifestyle, European styling and the flexibility of different options, you're sure to find the perfect Lofra for your family.

Lofra also offers you a 3 year parts and labour warranty, providing complete peace of mind through our Customer Care Program supported by a team of dedicated and professional technicians Australia wide.

Italy's No.1 Freestanding Cooker

OVEN FUNCTIONS



Light

The separate light function will illuminate the oven cavity. This function is also useful when cleaning the oven interior and will give a low heat suitable for proving dough



Fan forced

This method of cooking uses the circular element located around the fan to distribute heat evenly, resulting in a faster, more efficient operation. Cooking with the fan on allows different kinds of food to be cooked simultaneously on different shelves, preventing the transmission of smells and flavors from one dish onto another.



Top element only

This method of cooking uses the outer part of the top element to direct heat downwards onto the food. For gentle cooking, browning or keeping cooked dishes warm.



Lower element only

This method of cooking uses the lower element to direct heat upward to the food. For slow-cooking recipes or for warming up meals.



Convection – top and lower element

This method of cooking provides traditional cooking with heat from the top and lower elements. Particularly suitable for roasting and baking on one shelf only.



Fan and lower element

This method of cooking uses the bottom element with the fan to circulate the heat upward. For delicate dishes and heating pre-cooked food. Suitable for patisserie, baking foods that require concentration of heat on the base.



Convection oven and fan assist

This method of cooking provides heat from the outer top and the lower elements, plus the use of the fan to circulate the heat and ensure a fast and even distribution. Suitable for baking pastries and biscuits on multiple levels when browning is required.



Centre grill

This cooking method is static grilling utilising the inner part of the top element which directs heat downward onto the food. Suitable for grilling small portions of meat or for toasted sandwiches.



Full grill

This cooking method is normal static grilling utilising the full top elements which directs heat downwards onto the food. Suitable for grilling medium to large portions of sausages, bacon, steaks and fish.



Full grill and fan

This method of grilling uses the full top element in junction with the fan, to grill meat without the need to turn. Suitable for steaks such as hamburgers and large fillets.



Defrost

The fan runs without heat to reduce the defrosting time of frozen foods. The time required to defrost the food will depend on the room temperature, the quantity and type of food: Remove frozen portions of meat completely from packaging and place over the grill rack to allow proper circulation.

beauty, function ... Viva Lofra

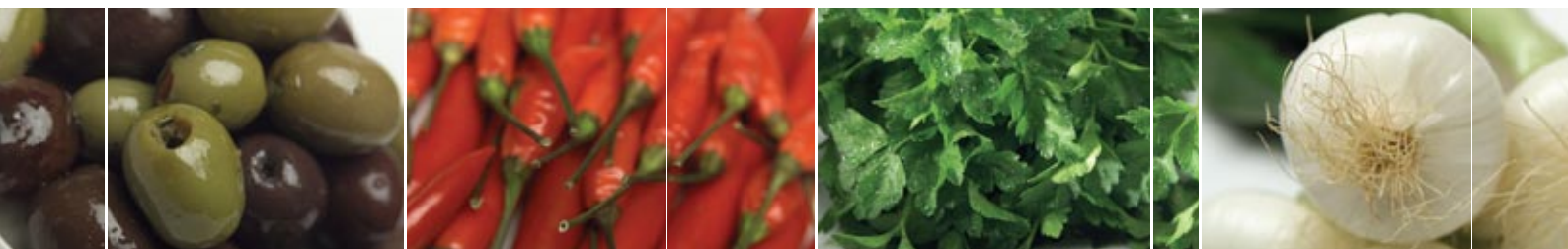
Ceramic Grill

The ultimate grilling system, the Ceramic Grill, is like having a ceramic cooktop placed in the roof of your oven. A glass surface makes cleaning so easy. The element system is much more responsive than traditional grilling elements, so you can get the best grilling results each time.



Zero Side Clearance

Lofra ovens are built using the latest technology and are designed to maintain a cool oven perimeter. This feature allows you to install the oven with zero gaps on each side.



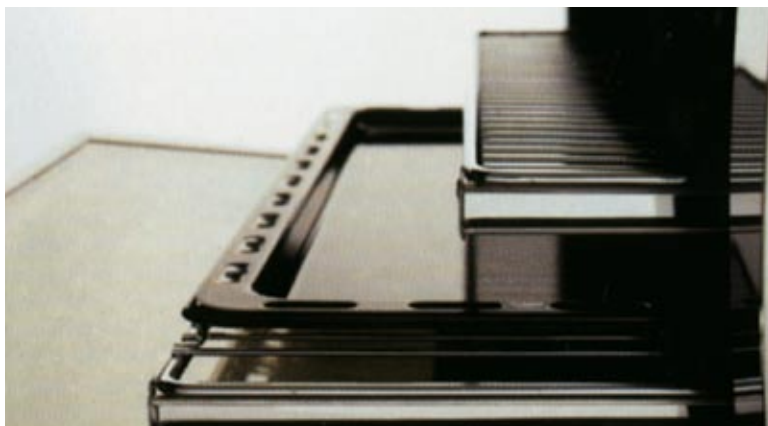
Class A Energy Rating

The highest energy efficiency rating attainable and currently enforced in all European Union (EU) countries across Europe is a Class A rating. As these ovens and cookers are sold globally and in the EU, they have been rated for their energy and receive a Class A rating. Help us take care of our environment.



Telescopic Safety Shelves

When your busy making your magic in the kitchen, that's when accidents can happen. Reduce this risk by having a professional shelving system on your oven, with our Professional and Curva series ovens that features the Telescopic Safety Shelf System, allowing recipes to slide forward and back with ease and importantly has the strength to hold the heaviest roast.



Triple Glazed Full Inner Glass Door System

A beautifully engineered door system that showcases a full inner glass door system that is not only aesthetically pleasing but importantly easy to wipe the larger glass area clean when compared to standard doors systems with small glass areas and larger enamel frames. With the Triple Glazed oven door feature, the heat stays where it should, makes you cook your food perfectly, yet limiting the amount of heat escaping through the front door, saving you time, money and keeping your family safe.



Easy Wipe Enamel Interior

A special non porous enamel finish inside these ovens makes cleaning easier. Food residue doesn't adhere as well on the glass like, higher quality enamel surface.



Flame Failure Safety System

Now you can relax knowing the Flame Failure Safety system on our selected Inbuilt Professional Gas Cooktops will shut the gas off to the burner should the sensor identify that the flame has gone out. That's true peace of mind.



Multifunction Cooking System

The flexibility of our Freestanding Cookers and selected Inbuilt ovens will allow you to choose the right oven function that best suits your recipe that guarantees to deliver optimum cooking results.



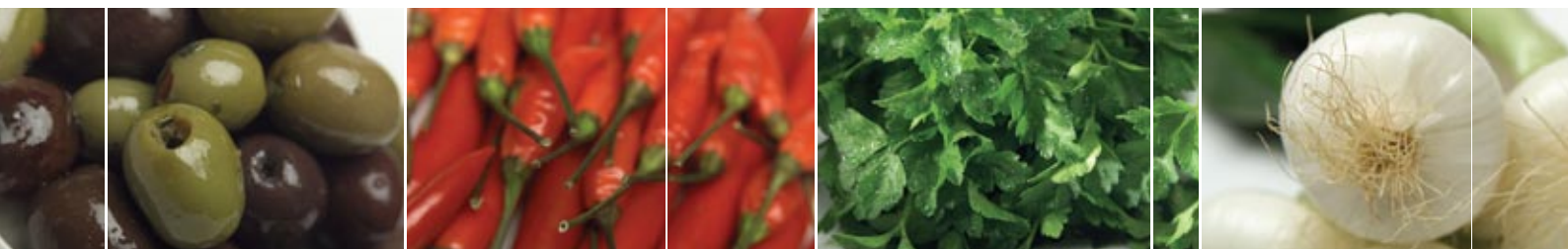
LED 24 hour Programmable Timer

This appliance has the latest electronic LED control and display for the ultimate control and ease of use.



Large Oven Capacity

H106002 - Get the Largest Oven Capacity and still only have to install a 60cm oven, taking up less precious space in the kitchen. Compare this capacity with other ovens, and you are receiving the capacity of a 70cm oven.



PROFESSIONAL SERIES

for the professional

LPF6EG.2SS 60cm Electric Gas Freestanding Cooker



ELECTRIC 10 MULTIFUNCTION OVEN AND GRILL



Cooker Features

New Professional design
Brushed stainless steel finish with mark free control panel
Stainless steel handle

Oven Features

Unique, easy to clean ceramic grill
Easy wipe, non-porous enamel oven cavity
Stainless steel framed, triple glazed door
Full inner glass door
LED 24 hour program timer
Telescopic oven safety shelves
Large usable oven cavity
Rotisserie

Cooktop Features

Four burner gas hob with triple flame wok burner
One piece splashback and hob
Flame failure safety device to all burners
Heavy duty cast iron trivets with protective rubber feet
Automatic under knob ignition

LPF9EG.2SS 90cm Electric Gas Freestanding Cooker



ELECTRIC 10 MULTIFUNCTION OVEN AND GRILL



Cooker Features

New Professional design
Brushed stainless steel finish with mark free control panel
Stainless steel handle

Oven Features

Unique, easy to clean ceramic grill
Easy wipe, non-porous enamel oven cavity
Stainless steel framed, triple glazed door
Full inner glass door
LED 24 hour program timer
Telescopic oven safety shelves
Large usable oven cavity
Rotisserie

Cooktop Features

Five burner gas hob with triple flame wok burner and multi purpose burner
One piece splashback and hob
Flame failure safety device to all burners
Heavy duty cast iron trivets with protective rubber feet
Automatic under knob ignition

PROFESSIONAL COOKING TIP

When cooking with the fan forced function, keep the temperature below 180°C, as this will minimise splatter and deliver optimum cooking results.

LPF9EGC.2SS 90cm Electric Gas Freestanding Cooker



ELECTRIC 10 MULTIFUNCTION OVEN AND GRILL



Cooker Features

- New Professional design
- Brushed stainless steel finish with mark free control panel
- Stainless steel handle

Oven Features

- Unique, easy to clean ceramic grill
- Easy wipe, non-porous enamel oven cavity
- Stainless steel framed, triple glazed door
- Full inner glass door
- LED 24 hour program timer
- Telescopic oven safety shelves
- Large usable oven cavity
- Rotisserie

Cooktop Features

- Four burner gas hob with triple flame wok burner and dual zone ceran electric plate
- One piece splashback and hob
- Flame failure safety device to all burners
- Heavy duty cast iron trivets with protective rubber feet
- Automatic under knob ignition

LPF9DEG.2SS 90cm Electric Gas Freestanding Cooker



ELECTRIC 10 MULTIFUNCTION OVEN AND GRILL

Main Oven:

Second oven:



Cooker Features

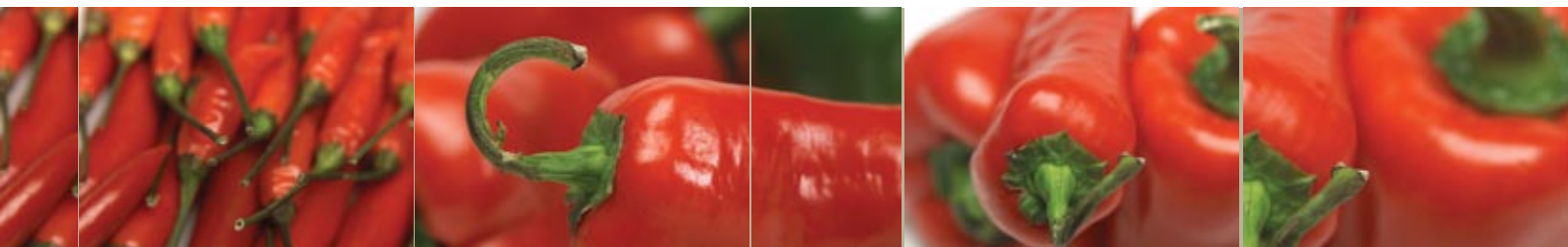
- New Professional design, double oven series
- Brushed stainless steel finish with mark free control panel
- Stainless steel handle

Oven Features

- Dual ovens
- Unique, easy to clean ceramic grill
- Easy wipe, non-porous enamel oven cavity
- Stainless steel framed, triple glazed door
- Full inner glass door
- LED 24 hour program timer
- Telescopic oven safety shelves
- Large usable oven cavity
- Rotisserie

Cooktop Features

- Five burner gas hob with triple flame wok burner and multi purpose burner
- One piece splashback and hob
- Flame failure safety device to all burners
- Heavy duty cast iron trivets with protective rubber feet
- Automatic under knob ignition





Stunning and architecturally designed, the Curva series is for the style conscious. The beautifully curved lines seamlessly incorporate some outstanding new features.

URVA

CURVA SERIES *designed with style*

LCF7EG.2SS 70cm Electric Gas Freestanding Cooker



ELECTRIC 10 MULTIFUNCTION OVEN AND GRILL



Cooker Features

New curved design
Polished stainless steel finish with mark free control panel
Stainless steel handle

Oven Features

Easy wipe, non-porous enamel oven cavity
Mirror glass, triple glazed door
Full inner glass door
LED 24 hour program timer
Telescopic oven safety shelves
Large usable oven cavity
Rotisserie

Cooktop Features

Five burner gas hob with triple flame wok burner
One piece splashback and hob
Flame failure safety device to all burners
Heavy duty cast iron trivets with protective rubber feet
Automatic under knob ignition

LCF9EG.2SS 90cm Electric Gas Freestanding Cooker



ELECTRIC 10 MULTIFUNCTION OVEN AND GRILL



Cooker Features

New curved design
Polished stainless steel finish with mark free control panel
Stainless steel handle

Oven Features

Easy wipe, non-porous enamel oven cavity
Mirror glass, triple glazed door
Full inner glass door
LED 24 hour program timer
Telescopic oven safety shelves
Large usable oven cavity
Rotisserie

Cooktop Features

Five burner gas hob with triple flame wok burner
One piece splashback and hob
Flame failure safety device to all burners
Heavy duty cast iron trivets with protective rubber feet
Automatic under knob ignition

COOKING TIP

After each use, wipe over spills while your oven is still slightly warm. This allows for ease of cleaning and to keep your oven looking in 'as new' condition.

ESSENTIAL SERIES *built to last*

LEF6EG.3SS 60cm Electric Gas Freestanding Cooker
 LEF6GG.3SS 60cm Gas Freestanding Cooker



AVAILABLE IN EITHER ELECTRIC 10 MULTIFUNCTION OVEN AND GRILL (LEF6EG.3SS)



OR

GAS OVEN WITH ELECTRIC GRILL (LEF6GG.3SS)

Cooker Features

- Polished stainless finish with mark free control panel
- Stainless steel handle
- Framed glass lid

Oven Features

- Mirror glass, triple glazed door
- Full inner glass door
- Two hour stop timer (electric model only)
- One hour timer (gas model only)
- Large usable oven cavity
- Rotisserie

Cooktop Features

- Four burner gas hob with triple flame wok burner
- Flame failure safety system to all burners
- Heavy duty cast iron trivets with protective rubber feet
- Automatic under knob ignition

LEF7EG.3SS 70cm Electric Gas Freestanding Cooker
 LEF7GG.3SS 70cm Gas Freestanding Cooker



AVAILABLE IN EITHER ELECTRIC 10 MULTIFUNCTION OVEN AND GRILL (LEF7EG.3SS)



OR

GAS OVEN WITH ELECTRIC GRILL (LEF7GG.3SS)

Cooker Features

- Polished stainless finish with mark free control panel
- Stainless steel handle
- Framed glass lid

Oven Features

- Mirror glass, triple glazed door
- Full inner glass door
- Two hour stop timer (electric model only)
- One hour timer (gas model only)
- Large usable oven cavity
- Rotisserie

Cooktop Features

- Five burner gas hob with central triple flame wok burner
- Flame failure safety system to all burners
- Heavy duty cast iron trivets with protective rubber feet
- Automatic under knob ignition

ESSENTIAL COOKING TIP

Did you know you can now grill and bake at the same time? Simply using the fan grill function allows you to grill meat in the top section of the oven, while the fan circulates the heat below and bakes vegetables. The meat won't need turning over either.

LEF8EG.3SS 80cm Electric Gas Freestanding Cooker
LEF8GG.3SS 80cm Gas Freestanding Cooker



AVAILABLE IN EITHER ELECTRIC 10 MULTIFUNCTION OVEN AND GRILL (LEF8EG.3SS)



OR

GAS OVEN WITH ELECTRIC GRILL (LEF8GG.3SS)

Cooker Features

Polished stainless finish with mark free control panel
Stainless steel handle
Framed glass lid

Oven Features

Mirror glass, triple glazed door
Full inner glass door
Two hour stop timer (electric model only)
One hour timer (gas model only)
Large usable oven cavity
Rotisserie

Cooktop Features

Five burner gas hob with central triple flame wok burner
Flame failure safety system to all burners
Heavy duty cast iron trivets with protective rubber feet
Automatic under knob ignition

LEF9EG.3SS 90cm Electric Gas Freestanding Cooker
LEF9GG.3SS 90cm Gas Freestanding Cooker



AVAILABLE IN EITHER ELECTRIC 10 MULTIFUNCTIONAL OVEN AND GRILL (LEF9EG.3SS)



OR

GAS OVEN AND ELECTRIC GRILL (LEF9GG.3SS)

Cooker Features

Polished stainless finish with mark free control panel
Stainless steel handle
Framed glass lid

Oven Features

Mirror glass, triple glazed door
Full inner glass door
Two hour stop timer (electric model only)
One hour timer (gas model only)
Large usable oven cavity
Rotisserie

Cooktop Features

Five burner gas hob with central triple flame wok burner
Flame failure safety system to all burners
Heavy duty cast iron trivets with protective rubber feet
Automatic under knob ignition



PROJECT SERIES

unbeatable value

LEF6EGP 60cm Electric Gas Freestanding Cooker



ELECTRIC 10 MULTIFUNCTION OVEN AND GRILL



Oven Features

- Brushed stainless steel finish
- Stainless steel handle
- Triple glazed door
- Full inner glass door
- Two hour stop timer
- Large usable oven cavity

Cooktop Features

- 4 burner gas hob with triple flame wok burner
- Heavy duty cast iron trivets with protective rubber feet
- Automatic under knob ignition

LEF9EGP 90cm Electric Gas Freestanding Cooker



ELECTRIC 10 MULTIFUNCTION OVEN AND GRILL



Oven Features

- Brushed stainless steel finish
- Stainless steel handle
- Triple glazed door
- Full inner glass door
- Two hour stop timer
- Large usable oven cavity

Cooktop Features

- Five burner gas hob with central triple flame wok burner
- Heavy duty cast iron trivets with protective rubber feet
- Automatic under knob ignition

PROJECT COOKING TIP

Don't have the time to smoke spareribs the long, old-fashioned way. Don't despair! You can make tasty spareribs in your Lofra Project oven on fan forced, or to shorten the cooking time, use the oven on fan forced and finish them under the grill for that great smokey flavour.



*Robust performance
and quality you
come to expect at
economical pricing.*

INBUILT OVEN SERIES

european styling

LEIO65MFSS 60cm Inbuilt Oven



ELECTRIC 5 MULTIFUNCTION OVEN



Oven Features

- Mark free stainless steel finish
- Large 61 litre capacity
- Removable double glazed door
- Easy glide hinges
- 60 minute timer
- Cavity cooling system and cool door technology
- Moulded oven side racks for ease of cleaning

LEIO65MFP.2SS 60cm Inbuilt Oven



ELECTRIC 7 MULTIFUNCTION OVEN



Oven Features

- Mark free stainless steel finish
- Large 61 litre capacity
- Removable double glazed door
- Easy glide hinges
- LED 24 hour programmable timer
- Cavity cooling system and cool door technology
- Moulded oven side racks for ease of cleaning

INBUILT OVEN TIP

Did you know your Lofra inbuilt oven comes with the convenience of mark free stainless steel? Simply wipe over to clean, no more polishing required.

INBUILT OVEN SERIES

european styling

LO06001 60cm Inbuilt Oven



ELECTRIC FAN FORCED OVEN



Oven Features

- Stainless steel finish
- 59 litre capacity
- Removable double glazed door
- 60 minute manual timer
- Cavity cooling system and cool door technology
- Easy glide hinges
- Moulded side racks for ease of cleaning.

LO07001 70cm Inbuilt Oven



ELECTRIC 9 MULTIFUNCTION OVEN



Oven Features

- Stainless steel finish
- Superior 75 litre capacity
- Mirror glass and stainless steel door
- Removable double glazed door
- LED 24hr program timer
- Cavity cooling system and vented door
- Removable chromed steel racks in cavity

LO09002 90cm Inbuilt Oven

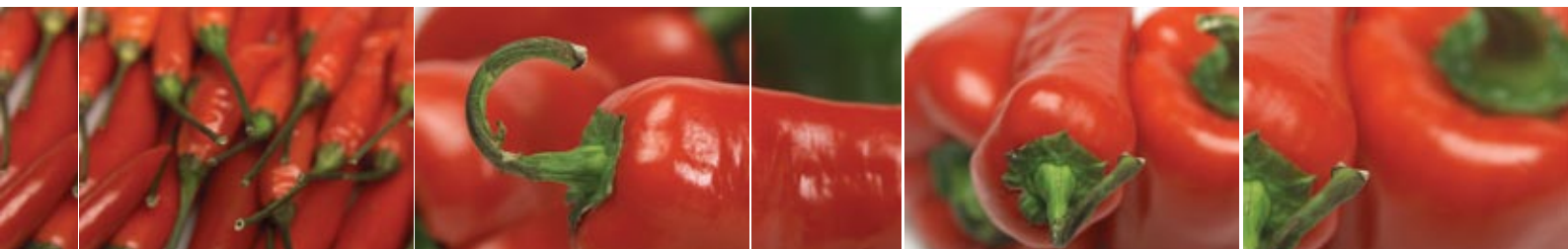


ELECTRIC 10 MULTIFUNCTION OVEN



Oven Features

- Mark free stainless steel finish
- Superior 90 litre capacity
- Mirror glass door
- Full inner door glass
- Removable double glazed door
- Easy glide hinges
- LED 24hr program timer
- Cavity cooling system
- Removable chromed steel racks in cavity
- Rotisserie



GAS COOKTOP SERIES

high performance

lofra gas cooktop series

*...embodying the Lofra heritage, the gas cooktop series combines quality with functionality.
The wok burners provide up to 16 MJ of power for all your cooking needs.*



LOCG6001 60cm Inbuilt Gas Cooktop

Cooktop Features

- Stainless steel finish
- Automatic underknob ignition
- High quality, integrated alloy burners
- 4 standard burners
- Spill catchment area
- 1 piece design for ease of cleaning
- Durable enamelled trivets with rubber feet
- Side controls



LOCG6004 60cm Inbuilt Gas Cooktop

Cooktop Features

- Stainless steel finish
- Automatic underknob ignition
- High quality, integrated alloy burners
- 3 burners plus a triple flame wok burner
- Spill catchment area
- 1 piece design for ease of cleaning
- Durable enamelled trivets with rubber feet
- Side controls



LOCG7002 70cm Gas Cooktop with wok

Cooktop Features

- Stainless steel finish
- Automatic underknob ignition
- High quality, integrated alloy burners
- 4 burners plus a triple flame wok burner
- Spill catchment area
- 1 piece design for ease of cleaning
- Durable enamelled trivets with rubber feet
- Convenient front controls



LOCG9003 90cm Gas Cooktop with wok

Cooktop Features

- Stainless steel finish
- Automatic underknob ignition
- High quality, integrated alloy burners
- 4 burners plus a triple flame wok burner
- Spill catchment area
- 1 piece design for ease of cleaning
- Durable enamelled trivets with rubber feet
- Side controls

GAS COOKTOP TIP

For your safety, the Professional Series Lofra gas cooktops come with flame failure to ensure no leakage of gas should the flame extinguish – that's peace of mind.

GAS COOKTOP SERIES

high performance

LPICG64WSS 60cm Inbuilt Professional Series Gas Cooktop



- Cooktop Features
- Stainless steel finish
 - Flame failure safety device
 - Automatic underknob Ignition
 - High quality, integrated alloy burners
 - High powered, 16MJ wok burner
 - 3 burners plus triple flame wok burner
 - 1 piece design for ease of cleaning
 - Cast iron trivets with rubber feet
 - Convenient front controls with glass panel

LPICG75WSS 75cm Inbuilt Professional Gas Cooktop



- Cooktop Features
- Stainless steel finish
 - New side wok design
 - Flame failure safety device
 - Automatic underknob Ignition
 - High quality, integrated alloy burners
 - High powered, 16MJ wok burner
 - 4 burners plus triple flame wok burner
 - New centred side wok design
 - 1 piece design for ease of cleaning
 - Cast iron trivets with rubber feet
 - Convenient front controls with glass panel

LPICG95WSS 90cm Inbuilt Professional Gas Cooktop



- Cooktop Features
- Stainless steel finish
 - New side wok design
 - Flame failure safety device
 - Automatic underknob Ignition
 - High quality, integrated alloy burners
 - High powered, 16MJ wok burner
 - 4 burners plus triple flame wok burner
 - New centred side wok design
 - 1 piece design for ease of cleaning
 - Cast iron trivets with rubber feet
 - Convenient front controls with glass panel



CERAMIC COOKTOP SERIES

stylish design

lofra cooktop series

...the Lofra ceramic cooktop series offers a range of sizes and models.
Stylish and easy to clean, there is sure to be a model to suit every lifestyle.

GECE6003 60cm Inbuilt Electric Cooktop



- Cooktop Features
- Ceramic glass surface
 - 4 radiant electric elements
 - Residual heat indicators
 - Multiple zone sizes
 - Side controls
 - Frameless design

LPICCTE6SS 60cm Inbuilt Electric Professional Series Cooktop



- Cooktop Features
- Ceramic glass with stainless steel trim
 - 4 hyperspeed zones with dual zone
 - Multiple zone sizes
 - Residual heat indicators
 - 9 power levels
 - Front touch controls
 - Operational safety technology

CERAN COOKTOP TIP

For the most convenient surface to clean, you can't go past Lofra's touch control ceran cooktops. Featured with responsive hyperspeed elements, there is no compromise on performance.

CERAMIC COOKTOP SERIES

stylish design

GECE7002 70cm Inbuilt Electric Cooktop



- Cooktop Features
- Ceramic glass surface
 - 4 radiant electric elements
 - Residual heat indicators
 - Multiple zone sizes
 - Front controls
 - Frameless design

LPICCTE77SS 77cm Inbuilt Electric Professional Series Cooktop



- Cooktop Features
- Ceramic glass with stainless steel trim
 - 4 hyperspeed zones with dual and extended zone
 - Multiple zone sizes
 - 99 minute timer
 - Residual heat indicators
 - 9 power levels
 - Child safety lock
 - Front touch controls
 - Operational safety technology



CANOPY & RANGEHOOD SERIES

flexible options

GEH6018 60cm Slideout Rangehood



Rangehood Features

- Stainless steel front rail with white underside
- Twin centrifugal motors
- 440 m³/hr drawing capacity
- 3 speed, slide switch controls
- 2 x framed metallic grease filters
- Twin incandescent lights

LOH6008 60cm Stainless Steel Wall Canopy & LOH7006 70cm Stainless Steel Wall Canopy



Rangehood Features - both models

- Stainless steel finish
- High extraction tangential motor
- 500 m³/hr drawing capacity
- 3 speed, push button controls
- 2 x framed metallic grease filters
- 2 x halogen lights
- 800mm and 1200mm stainless steel flue cover extensions available

LOH9007 90cm Stainless Steel Wall Canopy



Rangehood Features

- Stainless steel finish
- High extraction tangential motor
- 500 m³/hr drawing capacity
- 3 speed, push button controls
- 3 x framed metallic grease filters
- 2 x halogen lights
- 800mm and 1200mm stainless steel flue cover extensions available

RANGEHOOD TIP

For optimum performance, Lofra recommends that you duct your rangehood to suit your atmosphere, that way you can ensure that your kitchen remains odour free.

CANOPY SERIES

complimentary designs

lofra canopy series

...stunning and architecturally designed, the Lofra rangehood series is for the style conscious. The beautiful sleek lines incorporate seamlessly with the remainder of the inbuilt range and Lofra's superior Upright Cookers.

LPICRG6E.2SS 60cm Glass Wall Canopy



Rangehood Features

- Superior stainless steel finish (AISI 304 grade) with tempered glass front smoke visor
- Tangential motor
- 800 m³/hr extraction capacity
- 3 speed electronic optical controls
- 2 x metallic washable grease filters
- 2 x halogen lights
- High quality design

LPICRG9E.2SS 90cm Glass Wall Canopy



Rangehood Features

- Superior stainless steel finish (AISI 304 grade) with tempered glass smoke visor
- Tangential motor
- 800 m³/hr extraction capacity
- 3 speed electronic optical controls
- 2 x metallic washable grease filters
- 2 x halogen lights
- High quality design



CANOPY SERIES

complimentary designs

LOH9008G 90cm Stainless Steel and Glass Wall Canopy



Rangehood Features
Stainless steel / Glass finish
Single tangential motor
700 m³/hr extraction capacity
3 speed electronic controls
2 x framed metallic grease filters
Twin halogen lighting
High quality design

LOH9009G 90cm Stainless Steel and Glass Island Canopy



Rangehood Features
Stainless steel / Glass finish
Single tangential motor
700 m³/hr extraction capacity
3 speed electronic controls
2 x framed metallic grease filters
Four halogen lighting
High quality design

LOH9010G 90cm Stainless Steel and Glass Wall Canopy



Rangehood Features
Stainless steel / Glass finish
Single tangential motor
700 m³/hr extraction capacity
3 speed electronic controls
2 x framed metallic grease filters
Twin halogen lighting
High quality design

CANOPY TIP

All our rangehoods performance ratings have been tested to European Standard. EN60335

DISHWASHER SERIES

contemporary styling

lofra dishwasher series

...introducing our latest addition, this stunning dishwasher completes the lofra kitchen range. Featuring a new concealed control panel providing the ultimate in contemporary styling and protection from little hands.

LOD6001 60cm Freestanding Dishwasher



- Dishwasher Features
- Mark free stainless steel door
 - Twelve place settings
 - Seven wash programs
 - Four wash temperatures
 - 15.5 litres on normal wash
 - Concealed control panel
 - Half load function
 - Delay timer
 - Collapsible plate racks for pots
 - New top basket with easy adjust handles
 - Concealed heating element
 - Anti leak and anti flood safety system
 - Convection drying
 - Self cleaning stainless steel micro filter
 - New durable pex hoses



Concealed control panel



Upper basket lowered for cup stacking



Upper basket raised with lower basket plate racks collapsed for pots





MODEL	LPF6EGSS	LPF9EG.2SS	LPF9EGC.2SS	LPF9DEG.2SS
FREESTANDING COOKER FEATURES				
Finish	Brushed stainless steel	Brushed stainless steel	Brushed stainless steel	Brushed stainless steel
Width cm	60	90	90	90
Depth cm	60	60	60	60
Height cm	90.5 - 95.5 adjustable legs	90.5 - 95.5 adjustable legs	90.5 - 95.5 adjustable legs	90.5 - 95.5 adjustable legs

COOKTOP FEATURES

Auxiliary Burner 4mj	Yes	Yes	Yes	Yes
Semi Rapid Burner 7.1 mj	Yes	Yes	Yes	Yes
Rapid Burner 11.8 mj	Yes	Yes	Yes	Yes
Fish Burner 13 mj	-	Yes	-	Yes
Triple Ring Wok Burner 15 mj	Yes	Yes	Yes	Yes
Electric Ceran Plate	-	-	Yes	-
Flame Failure	Yes	Yes	Yes	Yes
Heavy Duty Cast Iron Trivets	Yes	Yes	Yes	Yes
Automatic Under Knob Ignition	Yes	Yes	Yes	Yes

OVEN FEATURES

Inner Size cm (HxDxW)	365 x 400 x 475	365 x 400 x 675	365 x 400 x 675	Main - 350 x 450 x 390 Second - 350 x 200 x 390
Oven Volume Litres	72	106	106	Main - 60, Second - 27
Timer	24 hour LED timer	24 hour LED timer	24 hour LED timer	24 hour LED timer
Triple Glazed Full Inner Glass Door	Yes	Yes	Yes	Yes
Telescopic Oven Safety Shelves	Yes	Yes	Yes	Yes
Easy Wipe Enamel Interior	Yes	Yes	Yes	Yes
Ceramic Grill	Yes	Yes	Yes	Yes (main oven)
Connection	15 amp plug	15 amp plug	20 amp hard wired	20 amp hard wired

STANDARD ACCESSORIES

Rotisserie	1	1	1	1
Oven Safety Shelves	2	2	2	Main - 2, Second - 1
Grill Shelf	1	1	1	1
Enamel Grill Pans/Trays	2	2	2	Main - 2, Second 1 (no tray)

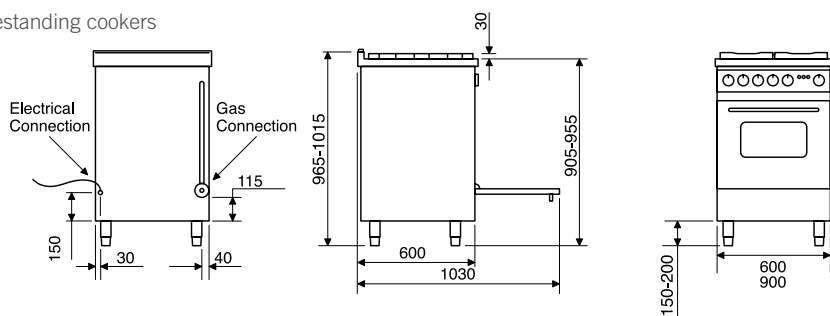
OPTIONAL ACCESSORIES

Self Cleaning Liners	Yes - optional	Yes - optional	Yes - optional	Yes - optional
Stainless Steel Kick Panel	Yes - optional	Yes - optional	Yes - optional	Yes - optional

GAS CONNECTION

Natural/LPG Gas Compatibility	Nat. gas (LPG jets supplied)	Nat. gas (LPG jets supplied)	Nat. gas (LPG jets supplied)	Nat. gas (LPG jets supplied)
-------------------------------	------------------------------	------------------------------	------------------------------	------------------------------

Technical specification for the Professional range of electric gas freestanding cookers



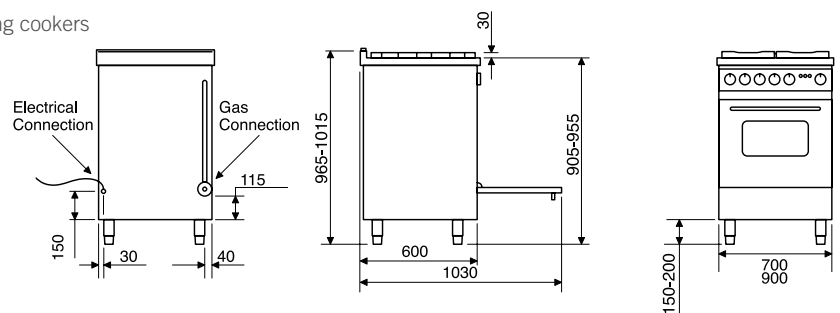
For full installation, refer to user manual.

All measurements in mm



MODEL	LCF7EG.2SS	LCF9EG.2SS
FREESTANDING COOKER FEATURES		
Finish	Polished stainless steel	Polished stainless steel
Width cm	70	90
Depth cm	60	60
Height cm	90.5 - 95.5 adjustable legs	90.5 - 95.5 adjustable legs
COOKTOP FEATURES		
Auxiliary Burner 4mj	Yes	Yes
Semi Rapid Burner 7.1 mj	Yes	Yes
Rapid Burner 11.8 mj	2	2
Triple Ring Wok Burner 15 mj	Yes	Yes
Flame Failure	Yes	Yes
Heavy Duty Cast Iron Trivets	Yes	Yes
Automatic Under Knob Ignition	Yes	Yes
OVEN FEATURES		
Inner Size cm (HxDxW)	365 x 400 x 475	365 x 400 x 675
Oven Volume Litres	72	106
Timer	24 hour LED timer	24 hour LED timer
Triple Glazed Full Inner Glass Door	Yes	Yes
Telescopic Oven Shelves	Yes	Yes
Easy Wipe Enamel Interior	Yes	Yes
Connection	15 amp plug	15 amp plug
STANDARD ACCESSORIES		
Rotisserie	1	1
Oven Safety Shelves	2	2
Grill Shelf	1	1
Enamel Grill Pans/Trays	2	2
OPTIONAL ACCESSORIES		
Self Cleaning Liners	Yes - optional	Yes - optional
Stainless Steel Kick Panel	Yes - optional	Yes - optional
GAS CONNECTION		
Natural/LPG Gas Compatibility	Nat. gas (LPG jets supplied)	Nat. gas (LPG jets supplied)

Technical specification for the Curva range of electric gas freestanding cookers



For full installation, refer to user manual.

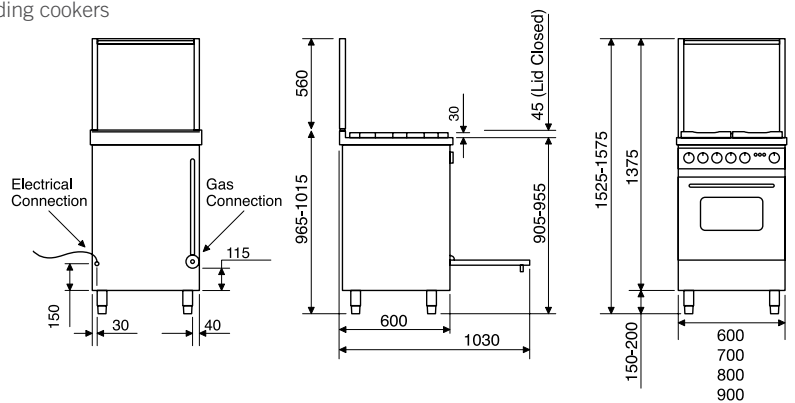
All measurements in mm

Essential Specifications



MODEL	LEF6EG.3SS / LEF6GG.3SS	LEF7EG.3SS / LEF7GG.3SS	LEF8EG.3SS / LEF8GG.3SS	LEF9EG.3SS / LEF9GG.3SS
FREESTANDING COOKER FEATURES				
Finish	Polished stainless steel	Polished stainless steel	Polished stainless steel	Polished stainless steel
Width cm	60	70	80	90
Depth cm	60	60	60	60
Height cm	90.5 - 95.5 adjustable legs	90.5 - 95.5 adjustable legs	90.5 - 95.5 adjustable legs	90.5 - 95.5 adjustable legs
COOKTOP FEATURES				
Auxiliary Burner 4mj	Yes	Yes	Yes	Yes
Semi Rapid Burner 7.1 mj	Yes	Yes	Yes	Yes
Rapid Burner 11.8 mj	Yes	2	2	Yes
Triple Ring Wok Burner 15 mj	Yes	Yes	Yes	Yes
Flame Failure	Yes	Yes	Yes	Yes
Heavy Duty Cast Iron Trivets	Yes	Yes	Yes	Yes
Automatic Under Knob Ignition	Yes	Yes	Yes	Yes
OVEN FEATURES				
Inner Size cm (HxDxW)	365 x 400 x 475	365 x 400 x 475	365 x 400 x 675	365 x 400 x 675
Oven Volume Litres	72	72	106	106
Timer (electric models)	2 hour stop timer	2 hour stop timer	2 hour stop timer	2 hour stop timer
Timer (gas models)	1 hour timer	1 hour timer	1 hour timer	1 hour timer
Connection (electric/gas models)	15 amp plug	15 amp plug	15 amp plug	15 amp plug
Connection (gas/gas models)	10 amp plug	10 amp plug	10 amp plug	10 amp plug
STANDARD ACCESSORIES				
Rotisserie	1	1	1	1
Oven Safety Shelves	2	2	2	2
Grill Shelf	1	1	1	1
Enamel Grill Pans/Trays	2	2	2	2
OPTIONAL ACCESSORIES				
Self Cleaning Liners	Yes - optional	Yes - optional	Yes - optional	Yes - optional
Stainless Steel Kick Panel	Yes - optional	Yes - optional	Yes - optional	Yes - optional
GAS CONNECTION				
Natural/LPG Gas Compatibility	Nat. gas (LPG jets supplied)	Nat. gas (LPG jets supplied)	Nat. gas (LPG jets supplied)	Nat. gas (LPG jets supplied)

Technical specification for the Essential range of electric and gas freestanding cookers

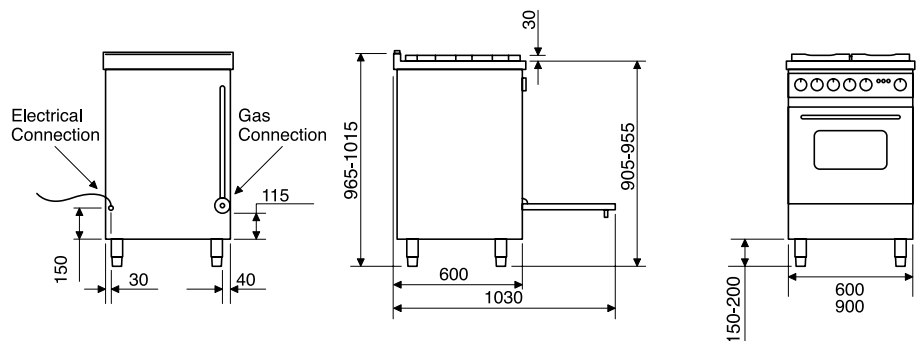


All measurements in mm

For full installation, refer to user manual.



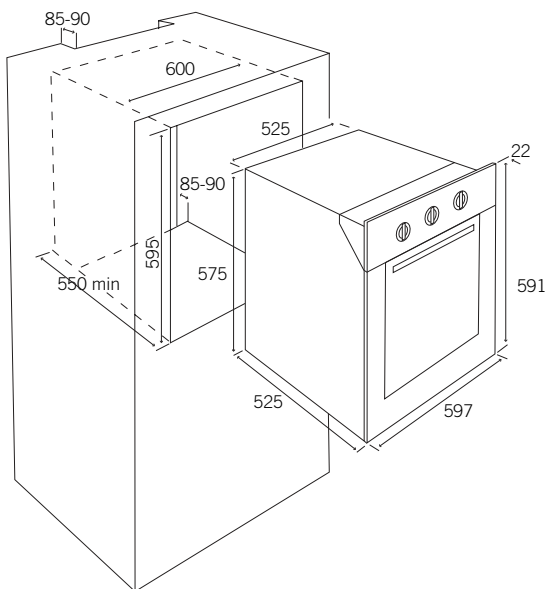
MODEL	LEF6EGP	LEF9EGP
FREESTANDING COOKER FEATURES		
Finish	Brushed stainless steel	Brushed stainless steel
Width cm	60	90
Depth cm	60	60
Height cm	90.5 - 95.5 adjustable legs	90.5 - 95.5 adjustable legs
COOKTOP FEATURES		
Auxiliary Burner 4mj	Yes	Yes
Semi Rapid Burner 7.1 mj	Yes	Yes
Rapid Burner 11.8 mj	Yes	Yes
Triple Ring Wok Burner 15 mj	Yes	Yes
Heavy Duty Cast Iron Trivets	Yes	Yes
Automatic Under Knob Ignition	Yes	Yes
OVEN FEATURES		
Inner Size cm (HxDxW)	365 x 400 x 475	365 x 400 x 675
Oven Volume litres	72	106
Timer	2 hour stop timer	2 hour stop timer
Connection	15 amp plug	15 amp plug
STANDARD ACCESSORIES		
Oven Safety Shelves	2	2
Grill Shelf	1	1
Enamel Grill Pans/Trays	2	2
Wok Trivet	1	1
OPTIONAL ACCESSORIES		
Self Cleaning Liners	Yes - optional	Yes - optional
Stainless Steel Kick Panel	Yes - optional	Yes - optional
GAS CONNECTION		
Natural/LPG Gas Compatibility	Nat. gas (LPG jets supplied)	Nat. gas (LPG jets supplied)



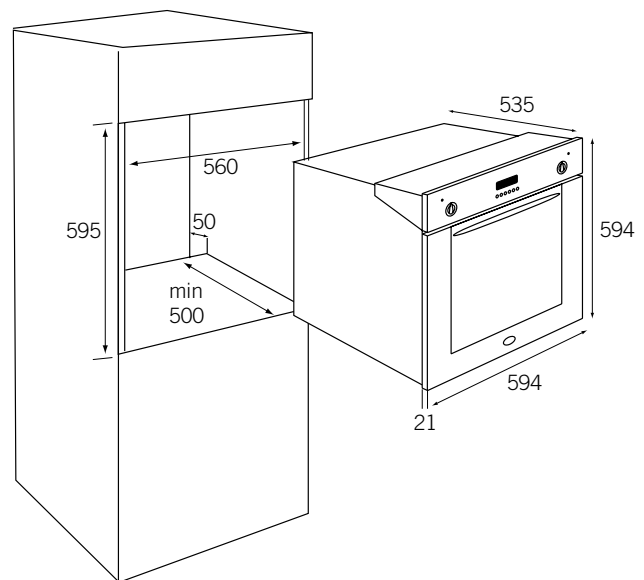
In-built Oven Specifications

MODEL	Finish	Dimensions mm (hxwxd)	Oven Capacity litres	Plug Supplied	Standard Accessories
LO06001	Stainless steel	External 591 x 597 x 525 Cut Out 595 x 600 x 550	60	10 amp plug (2m cord)	1 x oven safety shelves 1 x drip tray and trivet 1 x tray handle
LEIO65MFSS	Markfree stainless steel	External 594 x 594 x 535 Cut Out 595 x 560 x 500	61	10 amp plug (2m cord)	2 x oven safety shelves 1 x drip tray and trivet
LEIO65MFP.2SS	Markfree stainless steel	External 594 x 594 x 535 Cut Out 595 x 560 x 500	61	10 amp plug (2m cord)	2 x oven safety shelves 1 x drip tray and trivet
LO07001	Stainless steel	External 595 x 696 x 524 Cut Out 600 x 654 x 530	75	15 amp plug (2m cord)	2 x oven safety shelves 1 x drip tray and trivet 1 x tray handle
LO09002	Markfree stainless steel	External 477 x 849 x 538 Cut Out 600 x 654 x 530	90	15 amp plug (2m cord)	2 x oven safety shelves 1 x drip tray and trivet 1 x tray handle

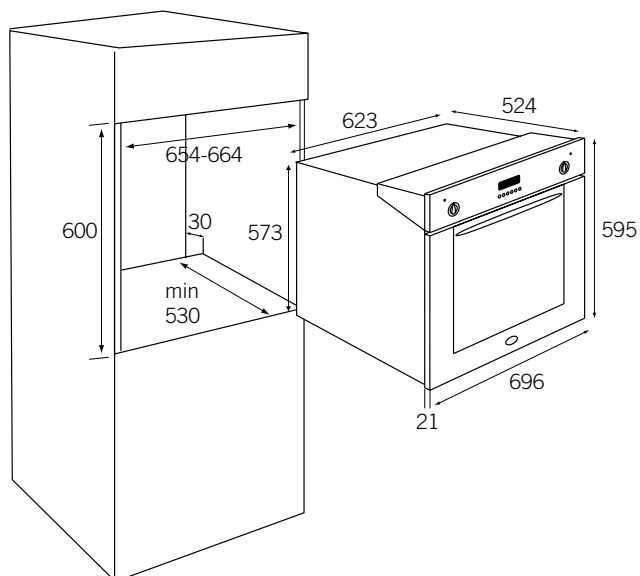
LO06001



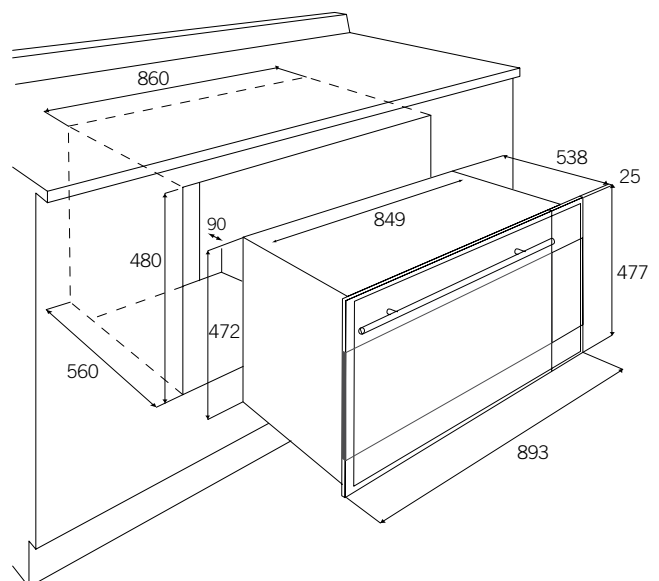
LEIO65MFP.2SS + LEIO65MFSS



LO07001



LO09002



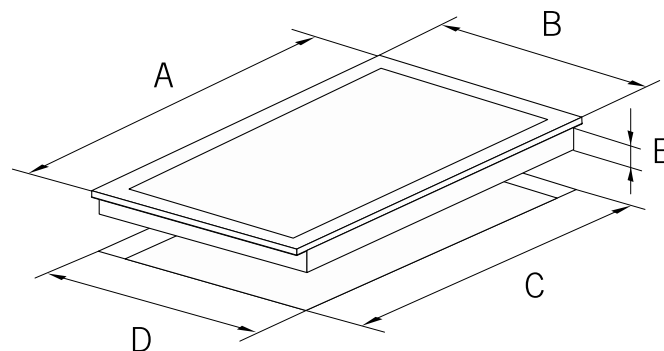
For full installation requirements, including ventilation for cabinetry, please refer to user and installation manual found with the product or on our website

Cooktop Specifications

MODEL	Finish	Number of, Output of and Burner/Zone type			Plug Supplied
LOCG6001	Stainless steel	1 x 11.9 mj rapid burner	2 x 7 mj semi rapid	1 x 4 mj auxiliary	10 amp plug
LOCG6004	Stainless steel	1 x 14.5 mj triple flame wok	2 x 6.9 mj semi rapid	1 x 4 mj auxiliary	10 amp plug
LOCG7002	Stainless steel	1 x 14.5 mj triple flame wok 1 x 11.5 mj rapid burner	2 x 6.9 mj semi rapid	1 x 4 mj auxiliary	10 amp plug
LOCG9003	Stainless steel	1 x 14.5 mj triple flame wok 1 x 11.5 mj rapid burner	2 x 6.9 mj semi rapid	1 x 4 mj auxiliary	10 amp plug
LPICG64WSS	Stainless steel	1 x 16 mj triple flame wok	1 x 12 mj rapid burner	2 x 7 mj semi rapid	10 amp plug
LPICG75WSS	Stainless steel	1 x 16 mj triple flame wok	1 x 12 mj rapid burner	2 x 7 mj semi rapid	10 amp plug
LPICG95WSS	Stainless steel	1 x 16 mj triple flame wok	1 x 12 mj rapid burner	2 x 7 mj semi rapid	10 amp plug
GECE6003	Ceramic glass	4 x radiant zones	2 x zone 1.2kW (180mm)	2 x zone 1.2kW (140mm)	Hard wired 24 amp
LPICCTE6SS	Ceramic glass	3 x hyperspeed zones 1 x double hyperspeed zone	1 x zone 2.2kW (120/210mm)	1 x zone 1.8kW (180mm)	Hard wired 24 amp
GECE7002	Ceramic glass	4 x radiant zones	2 x zone 1.7kW (180mm)	2 x zone 1.2kW (140mm)	Hard wired 24 amp
LPICCTE77SS	Ceramic glass	2 x double hyperspeed zones 2 x hyperspeed zones 1 x extended hyperspeed zone	1 x zone 2.2kW (120/210mm) 1 x zone 2.0kW (180mm)	1 x zone 2.0kW(180mm) 2 x zone 1.2kW (140mm)	Hard wired 30 amp

EXTERNAL AND CUTOUT DIMENSIONS

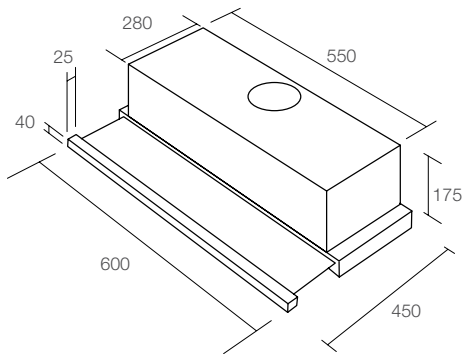
	LOCG6001	LOCG6004	LOCG7002	LOCG9003	LPICG64WSS	LPICG75WSS	LPICG95WSS	GECE6003	LPICCTE6SS	GECE7002	LPICCTE77SS
A	585	580	685	860	600	745	860	580	580	680	770
B	500	500	510	510	510	510	510	510	510	510	510
C	560	560	560	840	590	590	830	560	560	560	750
D	480	480	480	490	490	490	490	490	490	490	490
E	33	45	45	45	35	35	35	55	40	50	40



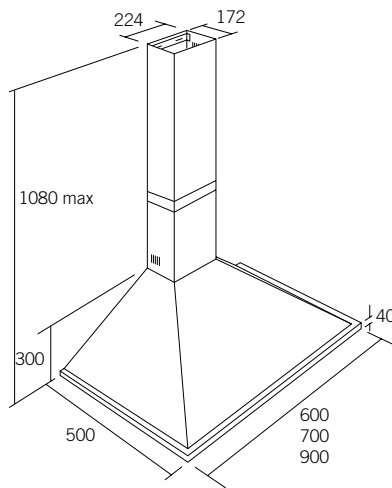
Canopy Specifications

MODEL	Finish	Motor Style	Air Movement	Flue Outlet	Controls	Lighting	Plug Supplied
GEH6018	Stainless steel rail with white underside	Twin centrifugal	440 m ³ /hr (max)	120mm	3 speed, slide switch	Incandescent	10 amp
LOH6008 LOH7006	Stainless steel	Single tangential	500 m ³ /hr (max)	120mm	3 speed, push button control	Halogen	10 amp
LOH9007	Stainless steel	Single tangential	500 m ³ /hr (max)	120mm	3 speed, button control	Halogen	10 amp
LPICRG6E.2SS	Scotch brite stainless steel (AISI 304 grade) with tempered glass lower frame	Single tangential	800 m ³ /hr (max)	150mm	3 speed, electronic optic control	Halogen	10 amp
LPICRG9E.2SS	Scotch brite stainless steel (AISI 304 grade) with tempered glass lower frame	Single tangential	800 m ³ /hr (max)	150mm	3 speed, electronic optic control	Halogen	10 amp
LOH9008G	Stainless steel & glass	Single tangential	700 m ³ /hr (max)	150mm	3 speed, electronic control	Halogen	10 amp
LOH9009G	Stainless steel & glass	Single tangential	700 m ³ /hr (max)	150mm	3 speed, electronic control	Halogen	10 amp
LOH9010G	Stainless steel & glass	Single tangential	700 m ³ /hr (max)	150mm	3 speed, electronic control	Halogen	10 amp

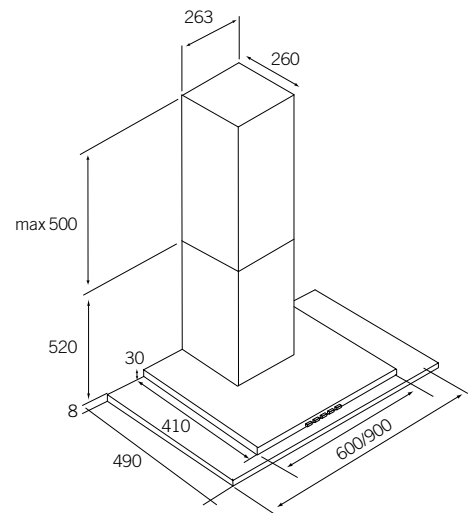
GEH6018



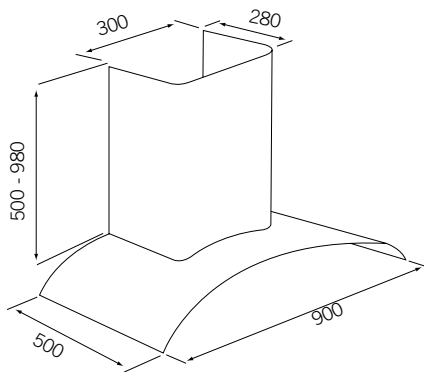
LOH6008, LOH7006, LOH9007



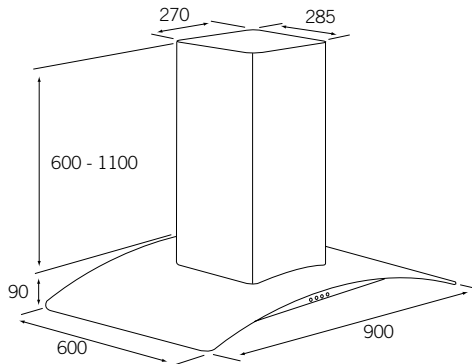
LPICRG6E.2SS, LPICRG9E.2SS



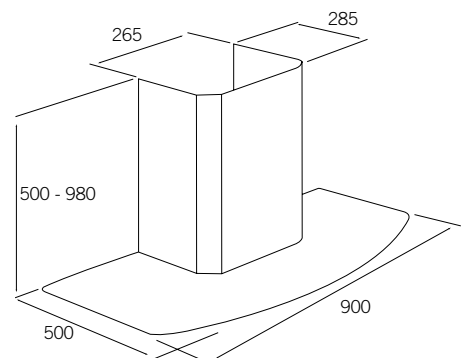
LOH9008G



LOH9009G



LOH9010G



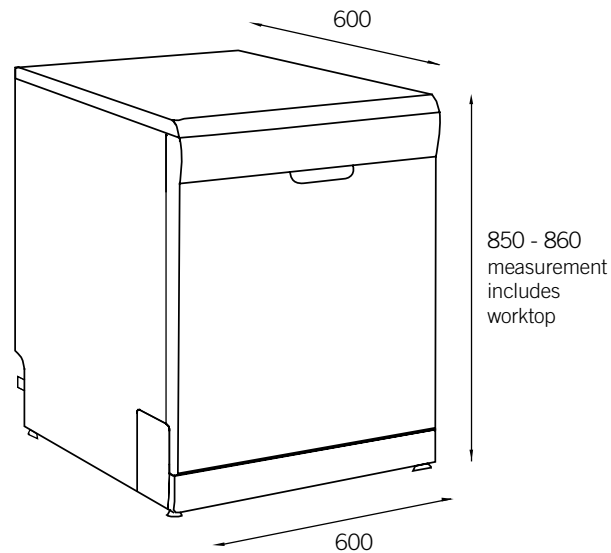
* NOTE - carbon filters available for Lofra hoods

Dishwasher Specifications

MODEL	LOD6001
Star Energy Rating	2.0
Water Usage Rating	2.5
Approx Water Consumption (litres)	15.5 (normal cycle 47°C)
Approx Energy Consumption (kW/h)	382 (normal cycle 50°C)
Wash Temperatures	40°C, 45°C, 50°C, 70°C
Upper Basket	height adjustable
Lower Basket	collapsible
Anti Leak Safety System / Anti Flood Safety System	yes / yes
Noise Level (dB)	50
Approx Duration of Cycle (mins)	135 (normal cycle 47°C)
External Dimensions mm (H x W x D)	850 x 600 x 600
Cut out Dimensions mm (H x W x D)	865 x 613 x 600
Water Connection	3/4" BSP /cold water
Plug Supplied	10 amp

*Dishwasher legs are adjustable by 10mm. The overall height that we quote is with the legs wound in.

Wash Programs	Time(mins)	Temp(°C)	WaterUsage(litres)
Intensive	160	42	18
Normal	157	60	15.3
Economy	140	47	-
Rinse	72	45	7.8
Glass	103	45	13.3
Rapid	50	40	10.1
Soak	8	-	3.6





Imported & Serviced by Think Appliances PTY LTD

Think Appliances operate a policy of continuous improvement and reserve the right to adjust and modify its products and prices without prior notification. All optional accessories can be purchased if required. All Lofra appliances are suitable for domestic or household use only and come with a full three year parts and labour warranty for your piece of mind.

Sales Enquiries t 1300 132 824 f 1300 660 188 Service Enquiries t 1800 444 357 f 1300 133 279 www.lofraappliances.com.au