



'D 120 & D 80' SUN SCREEN LOUVRES Architectural Screens



Innovative designs to screen out the sun, surround plant rooms and enhance privacy or presentation.

Sun screens reduce radiant heat while allowing a natural light, and can preserve the integrity of your buildings facade by covering unsightly air conditioning units.

Architectural screens can also separate your company's front entrance from an adjacent loading dock.

We design, manufacture and install screens for every occasion.

Choose from a wide selection of our proven designs including the Sunbreaker and Shadable systems, available in fixed adjustable or motorised louvres.

Sun Screen Louvres

Plant Room Surrounds

Privacy Screens

Car Park Shade

Decorative Screens

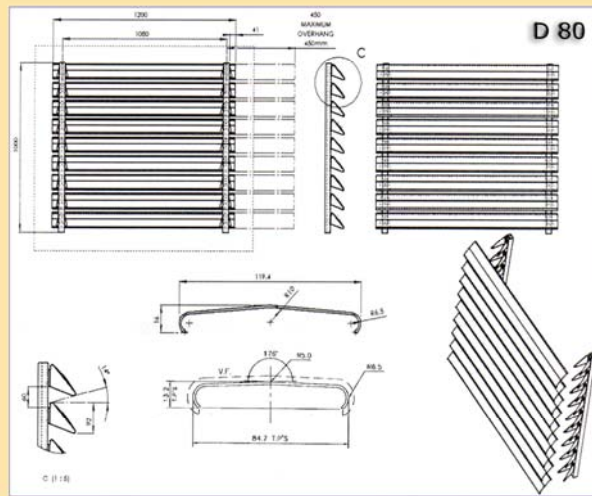
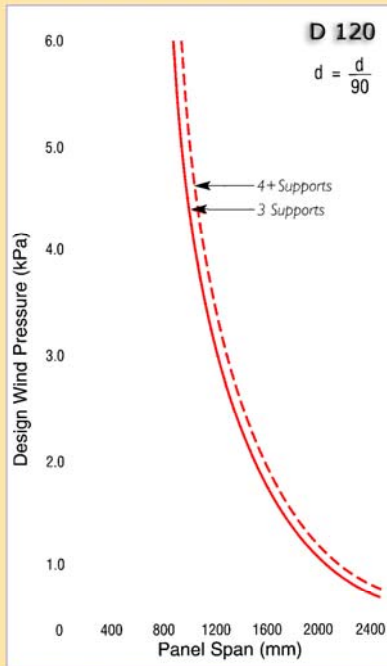


Talk to us about custom fabricated screen design and why no building is hard to fit.

TEL (03) 9543 1600 FAX (03) 9543 1008 web www.giamar.com
email sales@giamar.com

'D 120 & D 80' SUN SCREEN LOUVRES

Technical Information



Should you be looking to adapt an existing product or design something outside the normal run of louvre screens, we are happy to assist in the design, manufacture and installation of custom-made shading, privacy and decorative screens to suit your application.



SHADING



SUN BREAKER



PRIVACY

TEL (03) 9543 1600 FAX (03) 9543 1008

OFFICE & SHOWROOM
10 Murdock Street, Clayton, 3168